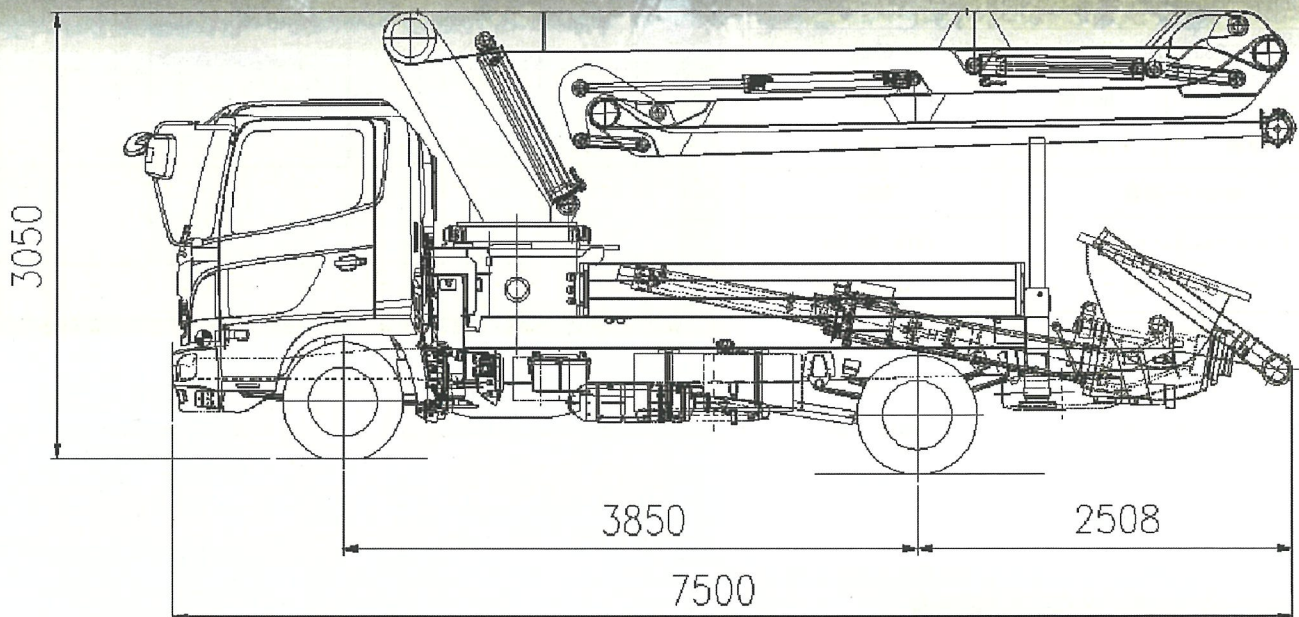


CONCRETE PUMPS

HCP 3Z18

- ・ 8t 限定中型免許で運転できる
- ・ FFH システム採用
- ・ クラス最大の圧送能力
- ・ 北欧 WELDOX 社製超高張力鋼板使用



▲最大吐出圧 80bar (ロッド側)

※シリンダー230φ 使用時 (200φで 106bar ピストン側) .op

▲最大吐出量 90m³/h (理論値)

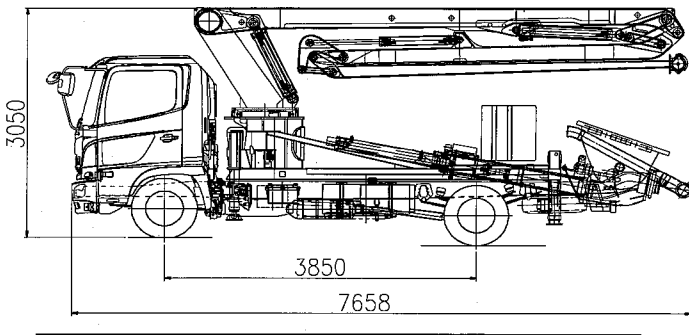
※シリンダー230φ 使用時 (200φで 70m³/h 理論値)



3Z18

SPECIFICATIONS

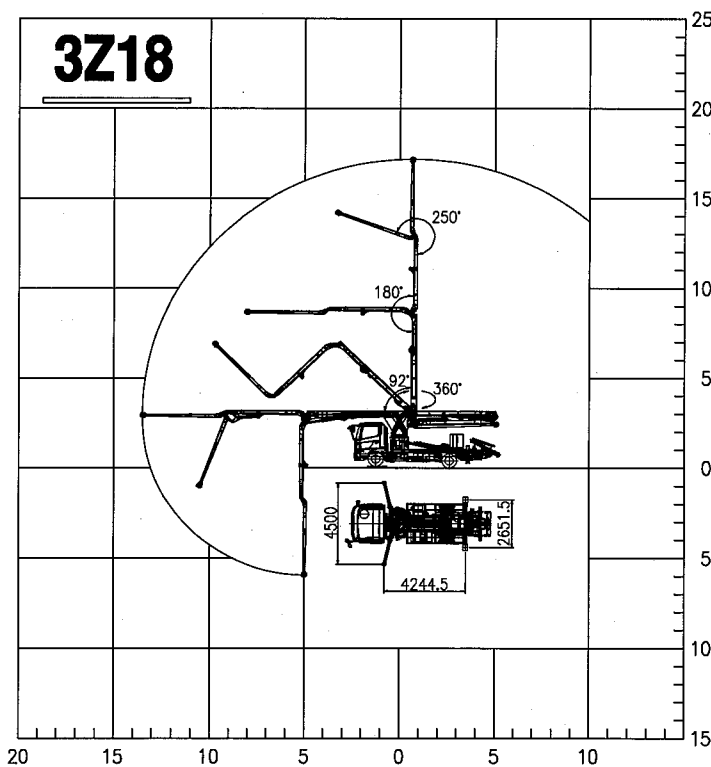
DIMENSIONS



BOOM

Boom type	3-section Z-Boom
Vertical reach	17.7m
Horizontal reach	14.7m
End hose length	4m
Delivery pipe diameter	125mm(5")
Slewing range	370°
1st section articulation	92°
2nd section articulation	180°
3rd section articulation	250°
1st section length	5,750mm
2nd section length	4,450mm
3rd section length	4,500mm

WORKING RANGE



OUTRIGGER

Front Outrigger Type	One Stage Diagonal Extension Full Spread Width 4,500mm
Rear Outrigger Type	One Stage Swing-out Full Spread Width 2,650mm

PUMP SPECIFICATIONS

Maximum output	71m ³ /h	92m ³ /h
Concrete cylinder	Φ200×1100mm	Φ230×1100mm
Stroke per minute	33	33
Concrete pressure	71bar	54bar
Hopper Capacity	400Liter	400Liter
S-Valve	Φ200×Φ180	Φ230×Φ180
Main pump	A4VG125×1	A4VG125×1

※ " All specifications are subject to change without prior notice "